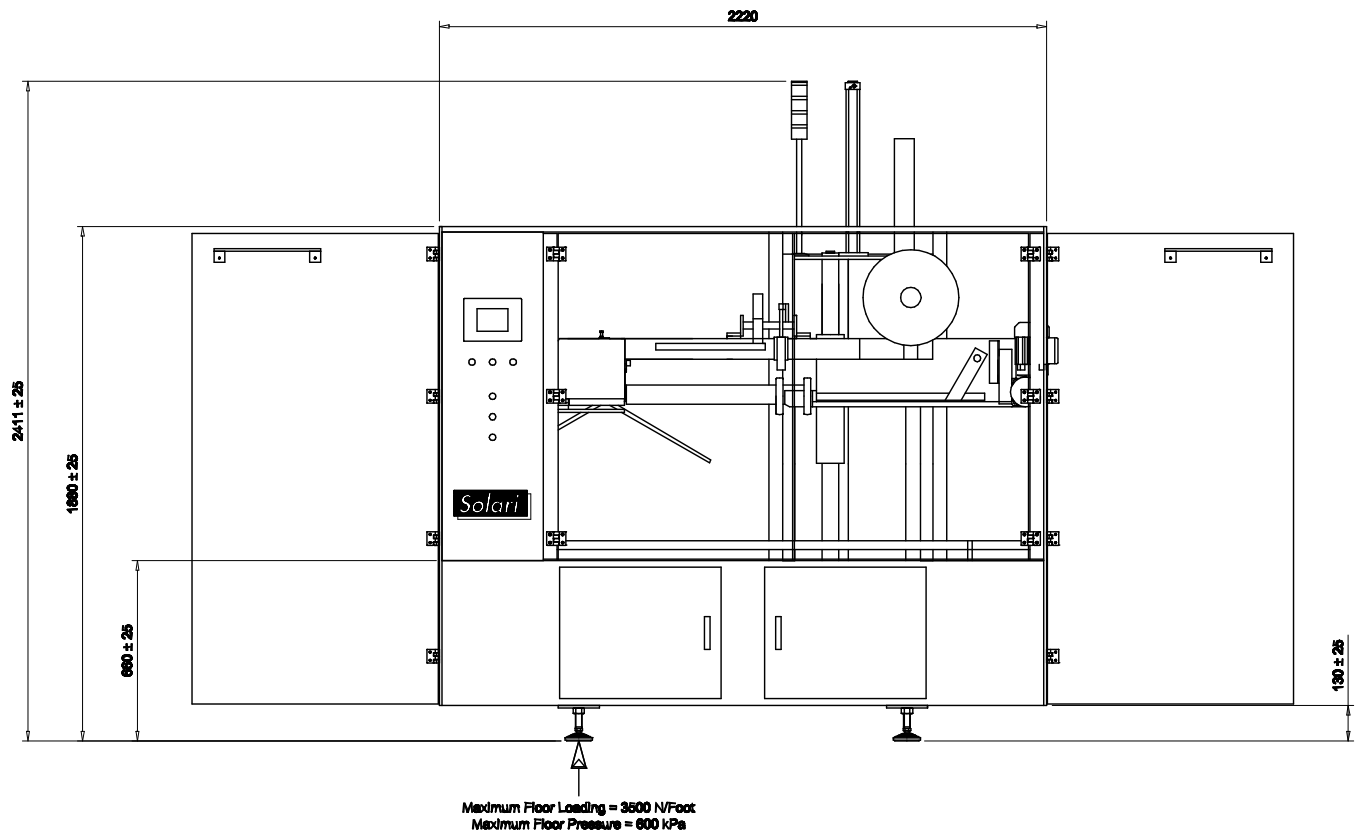
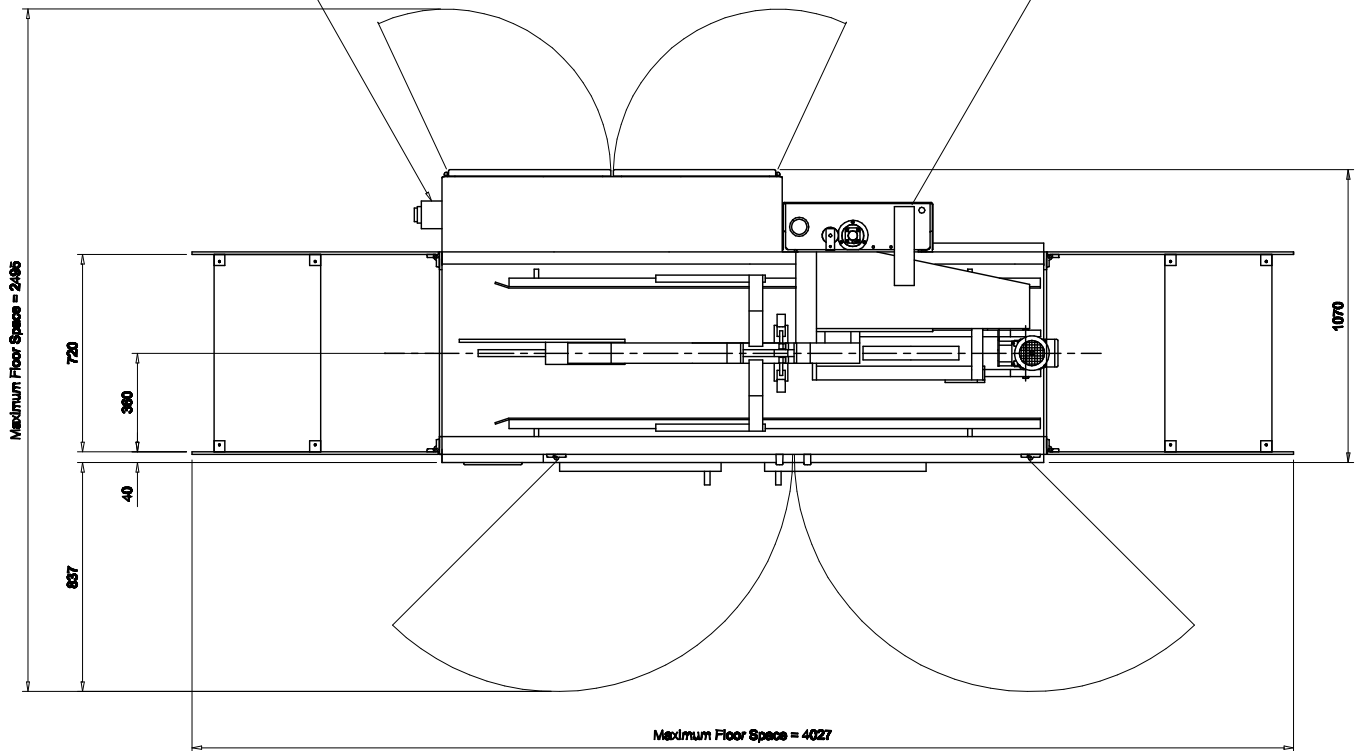


Main Electrical Isolation Switch -  
3 Phase (L1, L2, L3) + N + E  
5 Wire System, 15 Amp Supply

Air Supply Connection Point -  
6 3/4" Connection, 8 Bar (90 psi),  
Ø18 I.D. Line (Minimum)



**SOLARI PACKAGING SYSTEMS PTY. LIMITED.**  
7-9 Hoskins Avenue,  
BANKSTOWN N.S.W. 2200.  
Phone: (02) 9709 8265  
Intl: +61 2 9709 8265  
Website: www.solari.com.au

P.O. Box 476,  
BANKSTOWN N.S.W. 2200  
Fax: (02) 9709 5574  
Intl: +61 2 9709 5574  
Email: solari@solari.com.au

**Solari**

**VA670 Technical Data Sheet**

Date: 11.10.04

Drawn: B. Solari

Scale: 1:1

Drawing Number: 670.0.0.0.0

Sheet 1 of 1

File Name: VA670\_Technical\_Data\_Sheet

Serial Number: XX-XX-XX