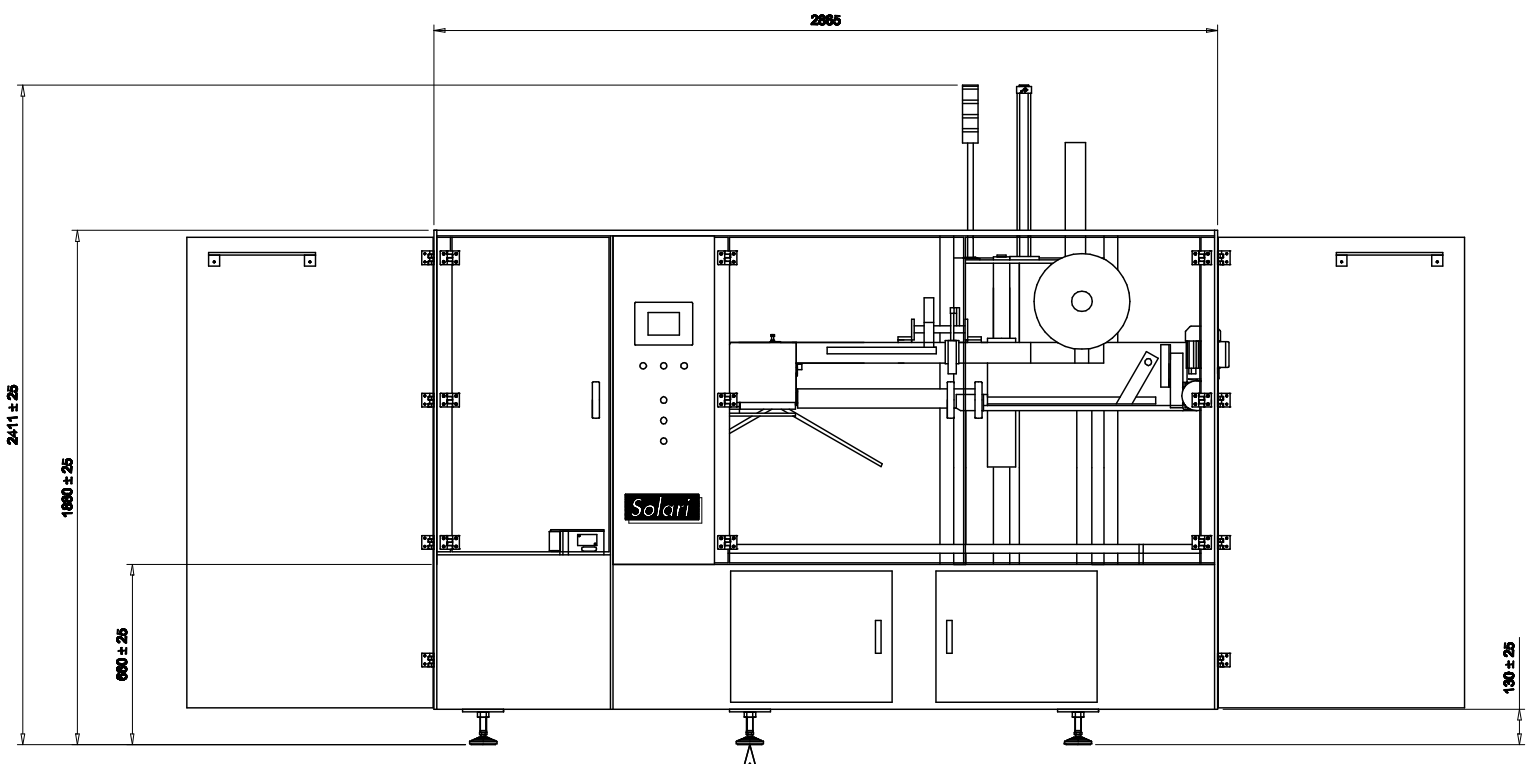
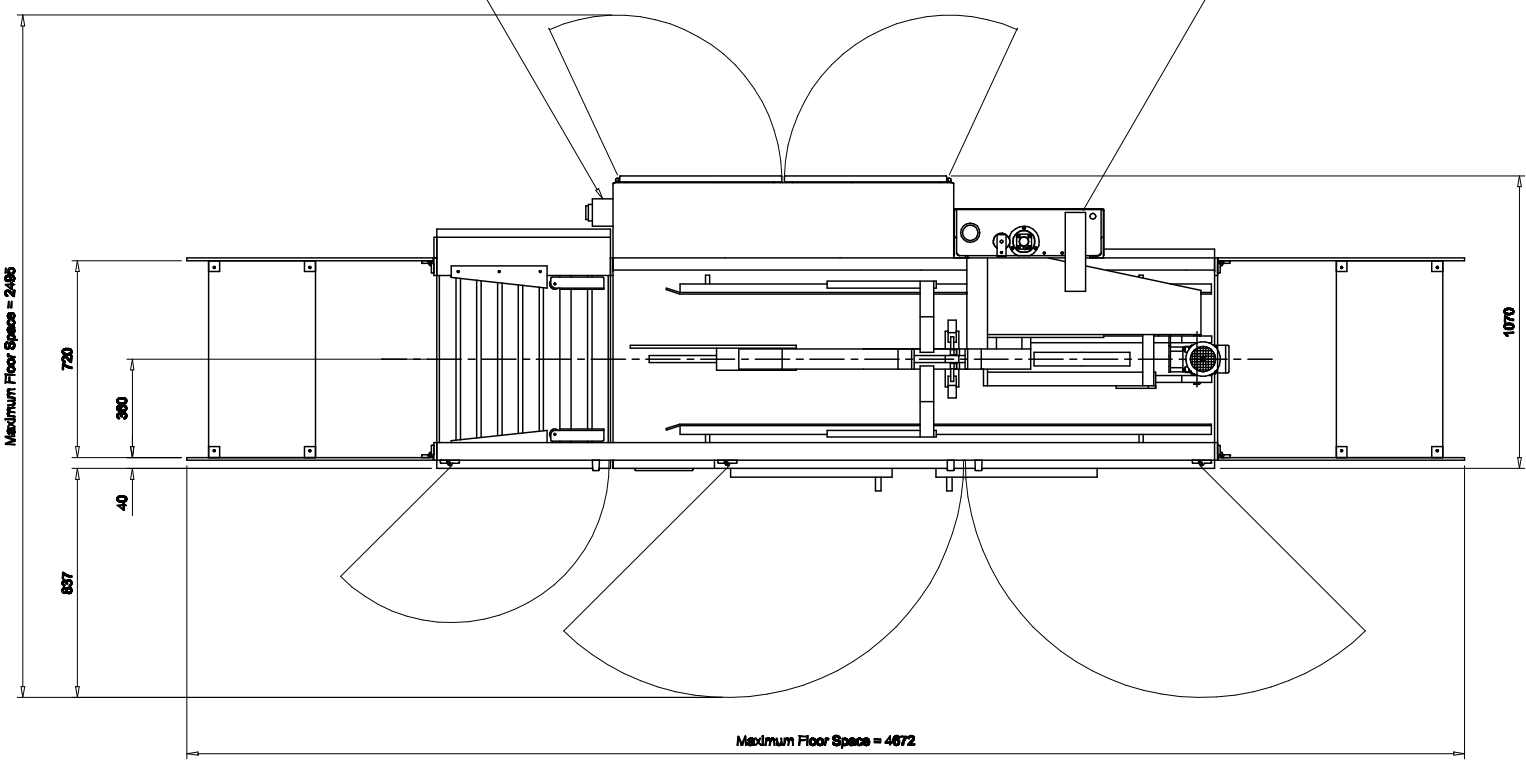


Main Electrical Isolation Switch -
3 Phase (L1, L2, L3) + N + E
5 Wire System, 16 Amp Supply

Air Supply Connection Point -
G 3/4" Connection, 6 Bar (90 psi),
Ø19 I.D. Line (Minimum)



SOLARI PACKAGING SYSTEMS PTY. LIMITED.

7-9 Hoskins Avenue,
BANKSTOWN N.S.W. 2200.
Phone: (02) 6796 8265
Int: +61 2 6796 8265
Website: www.solari.com.au

P.O. Box 476,
BANKSTOWN N.S.W. 2200
Fax: (02) 6796 5574
Int: +61 2 9709 5574
Email: solari@solari.com.au



VA676 Technical Data Sheet

Date: 24.03.06

Drawn: B. Solari

Scale: 1:1

Drawing Number: 676.0.0.00

Sheet 1 of 1

File Name: VA676_Technical_Data_Sheet

Serial Number: XX-XX-XX